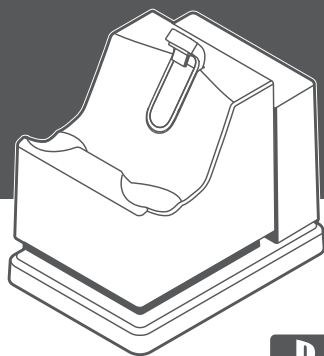




PowerA™



CHARGING STAND for DUALSHOCK®4 Wireless Controllers

SUPPORT DE CHARGE pour les manettes de jeu sans fil DUALSHOCK®4

USER MANUAL | Manuel de l'utilisateur | Bedienungsanleitung | Manual de usuario | Manuale per l'uso | Manual do usuário



Customer Service

Service client
Kundendienst
Servicio a clientes
Assistenza clienti
Apoio ao Cliente

PowerA.com/Support

Model: 1346333-02

TWO-YEAR LIMITED WARRANTY

For warranty details or support with your authentic PowerA accessories, please visit PowerA.com/Support.

Beschränkte 2-Jahre-Garantie Informationen zur Garantie oder Unterstützung zu Ihrem PowerA-Originalzubehör finden Sie unter PowerA.com/Support.

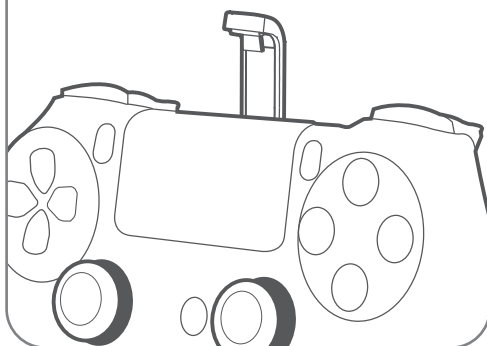
Garantía limitada de dos años Si quieres más información sobre la garantía o necesitas ayuda con tus accesorios originales de PowerA, visita PowerA.com/Support.

Garantie limitée de deux ans Pour plus de détails sur la garantie ou pour obtenir une assistance pour vos accessoires PowerA d'origine, veuillez consulter le site PowerA.com/Support.

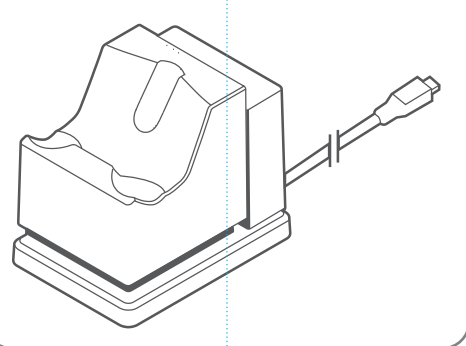
Garanzia limitata di due anni Per i dettagli sulla garanzia o per richiedere assistenza per i tuoi accessori PowerA autentici, visita la pagina PowerA.com/Support.

Garantia limitada de dois anos Para mais informações sobre a garantia ou os acessórios originais da PowerA, visita PowerA.com/Support.

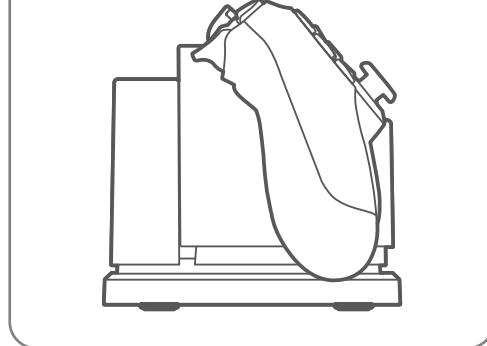
1 Connect USB Charging Adapter



2 Connect the Charging Stand



3 Press down to Charge



ENGLISH

CONTENTS

- (1) Charging Stand
- (1) USB Charging Adapter

USE

1. Connect the USB Charging Adapter to the Micro B input located on your DUALSHOCK®4 wireless controller.
2. Connect the Charging Stand to your PlayStation®4 USB input or any other powered USB input by connecting the USB plug into a powered USB input.
3. Place your DUALSHOCK®4 wireless controller on the Charging Stand, and press down. The DUALSHOCK®4 wireless controller will illuminate orange to indicate charging status. When fully charged the DUALSHOCK®4 wireless controller illumination will turn "OFF" indicating a full charge.

TROUBLESHOOTING

Q1. The Charging Stand is connected to my PlayStation®4, but its not charging.

A1. Make sure your PlayStation®4 is in "rest" mode or powered "ON". The USB inputs on the PlayStation®4 are not active when the PlayStation®4 is completely powered "OFF"

Q2. My DUALSHOCK®4 wireless controller is charging but the illumination is not orange?

A2. If your DUALSHOCK®4 wireless controller is still paired to the PlayStation®4 while you are charging the illumination will remain your "Channel" color.

Q3. How do I check the charge status of my DUALSHOCK®4 wireless controller?

A3. Pair your DUALSHOCK®4 wireless controller to the PlayStation®4 and check the on-screen battery indicator for charge status.

FCC STATEMENT (US ONLY)

This device complies with Part 15 of the FCC Rules. Operation is subject to the following two conditions: (1) this device may not cause harmful interference, and (2) this device must accept any interference received, including interference that may cause undesired operation. Warning: Changes or modifications to this unit not expressly approved by the party responsible for compliance could void the user's authority to operate the equipment. Note: This equipment has been tested and found to comply with the limits for Class B digital device, pursuant to Part 15 of the FCC Rules.

CAN ICES-003(B)/NMB-003(B) (CANADA ONLY)

This device contains licence-exempt transmitter(s)/receiver(s) that comply with Innovation, Science and Economic Development Canada's licence-exempt RSS(s).

Operation is subject to the following two conditions:

1. This device may not cause interference;
2. This device must accept any interference, including interference that may cause undesired operation of the device

MANUFACTURED BY

ACCO Brands USA LLC, 4 Corporate Way, Lake Zurich, IL 60047
ACCOBRANDS.com | POWERA.com | Made in China

CONTACT/SUPPORT

For support with your authentic PowerA accessories, please visit PowerA.com/Support.

WARRANTY

2-Year Limited Warranty: Visit PowerA.com/Support for details.

AUSTRALIAN WARRANTY STATEMENT

This product comes with guarantees that cannot be excluded under the Australian Consumer Law. You are entitled to a replacement or refund for a major failure and for compensation for any other reasonably foreseeable loss or damage. You are also entitled to have the goods repaired or replaced if the goods fail to be of acceptable quality and the failure does not amount to a major failure. If purchased within Australia or New Zealand, this product comes with a one-year warranty from date of purchase. Defects in the product must have appeared within one year from date of purchase, in order to claim the warranty. All warranty claims must be facilitated back through the retailer of purchase in accordance with the retailer's return policies and procedures. Any expenses incurred, as a result of returning the product to the retailer of purchase are the full responsibility of the consumer.

AU WHOLESALE DISTRIBUTOR

Level 2, 2 Darling Street South Yarra, Australia VIC 3141
bluemouth.com.au | Email: support@bluemouth.com.au
+61 (3) 9867 2666

ADDITIONAL LEGAL

© 2021 ACCO Brands USA LLC. PowerA and PowerA Logo are trademarks of ACCO Brands Corporation. "PS4", "PlayStation", "PS4", and "DUALSHOCK" are registered trademarks or trademarks of Sony Interactive Entertainment Inc. All rights reserved. All other trademarks are the property of their respective owners. Manufactured and distributed under license by Sony Interactive Entertainment LLC.

REGIONAL COMPLIANCE SYMBOLS

More information available via web-search of each symbol name.



(EU, UK, and Turkey Only) The WEEE (Waste of electrical and electronic equipment) symbol requires battery disposal outside of other household waste per local regulations. Contact your city office, waste disposal service, or retailer for guidance.



(EU and Turkey Only) The CE (Conformité Européenne aka European Conformity) mark is a declaration from the manufacturer that the product meets applicable European Directives and Regulations for health, safety, and environmental protection.



(UK Only) The UKCA (UK Conformity Assessment) mark is a declaration from the manufacturer that the product meets applicable UK Regulations for health, safety, and environmental protection.



(Australia only) The Regulatory Compliance Mark is a visible indication of a product's compliance with all applicable ACMA (Australian Communications and Media Authority) regulatory arrangements, including all technical and record-keeping requirements regarding the electrical safety and/or electromagnetic compatibility (EMC).

DECLARATION OF CONFORMITY

Hereby, ACCO Brands USA LLC at 4 Corporate Way, Lake Zurich, IL 60047 USA, declares that this wired charger is in compliance with Directive 2014/30/EU. The full text of the EU Declaration of Conformity is available at the following internet address: PowerA.com/compliance

FRAANÇAIS

CONTENU

- (1) Station de charge
- (1) Adaptateur de charge USB

UTILISATION

1. Connectez l'adaptateur de charge USB sur l'entrée Micro B de votre manette de jeu sans fil DUALSHOCK®4.
2. Connectez la station de charge sur l'entrée USB de votre PlayStation®4 ou sur toute autre entrée USB alimentée en branchant le connecteur USB dans une entrée USB alimentée.
3. Placez votre manette de jeu sans fil DUALSHOCK®4 sur la station de charge et appuyez dessus. La manette de jeu sans fil DUALSHOCK®4 s'allumera en orange pour indiquer l'état de la charge. Une fois complètement chargé, l'indicateur du jeu sans fil DUALSHOCK®4 s'éteindra pour indiquer que la charge est terminée.

DÉPANNAGE

Q1. La station de charge est connectée à ma PlayStation®4, mais elle ne se charge pas.

R1. Assurez-vous que votre PlayStation®4 est en mode « repos » ou en état de « MARCHE ». Les entrées USB de la PlayStation®4 sont inactives quand cette dernière est à l'« ARRÊT ».

Q2. Mon manette de jeu sans fil DUALSHOCK®4 se charge, mais sans être allumée en orange ?

R2. Si votre manette de jeu sans fil DUALSHOCK®4 est toujours apparié à la PlayStation®4 pendant la charge, il restera allumé avec la couleur de votre « Canal ».

Q3. Comment puis-je vérifier l'état de la charge de mon manette de jeu sans fil DUALSHOCK®4 ?

R3. Vous devez appairer la manette de jeu sans fil DUALSHOCK®4 à la PlayStation®4 et vérifier le témoin à l'écran sur l'état de la charge de la batterie.

CAN ICES-3(B)/NMB-3(B)

L'émetteur/récepteur exempt de licence contenu dans le présent appareil est conforme aux CNR d'Innovation, Sciences et Développement économique Canada applicables aux appareils radio exempts de licence. L'exploitation est autorisée aux deux conditions suivantes :
1. L'appareil ne doit pas produire de brouillage;
2. L'appareil doit accepter tout brouillage radioélectrique subi, même si le brouillage est susceptible d'en compromettre le fonctionnement.

FABRIQUÉ PAR

ACCO Brands USA LLC, 4 Corporate Way, Lake Zurich, IL 60047
ACCOBRANDS.com | POWERA.com
FABRIQUÉ EN CHINE

SERVICE CLIENTÈLE

Pour obtenir une assistance pour vos accessoires PowerA d'origine, veuillez consulter la rubrique PowerA.com/Support.

GARANTIE

Garantie limitée de deux ans. Consultez le site PowerA.com/Support pour plus de détails.

INFORMATIONS LÉGALES SUPPLÉMENTAIRES

© 2021 ACCO Brands USA LLC. PowerA et le logo PowerA sont des marques commerciales d'ACCO Brands Corporation. «PS4», «PlayStation», «PS4», et «DUALSHOCK» sont des marques déposées ou des marques commerciales de Sony Interactive Entertainment Inc. Tous droits réservés. Toutes les autres marques sont la propriété de leurs propriétaires respectifs. Fabriqué et distribué sous licence par Sony Interactive Entertainment LLC.

